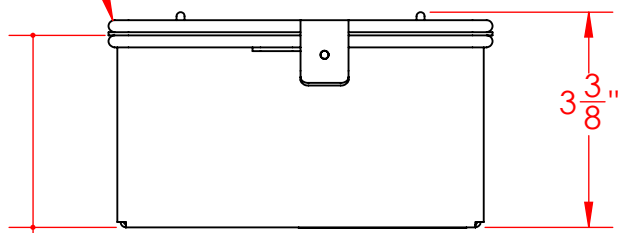
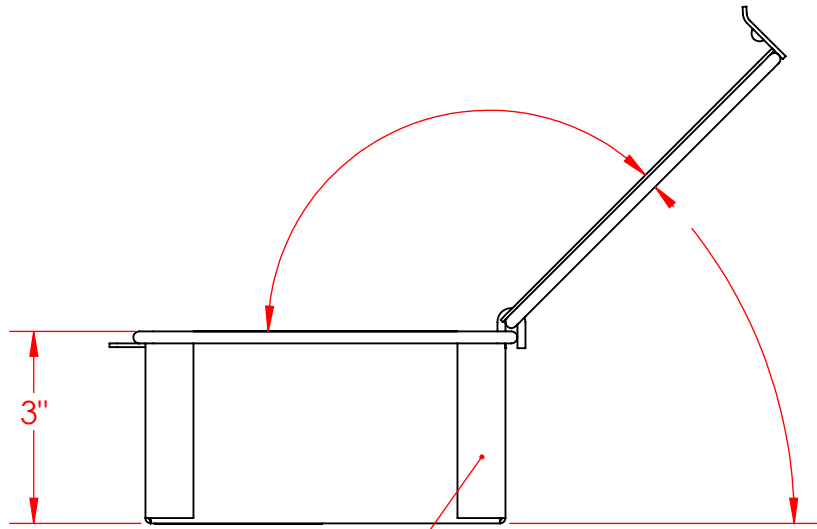


Lid Removed from View to show Approximate Inside Dimensions

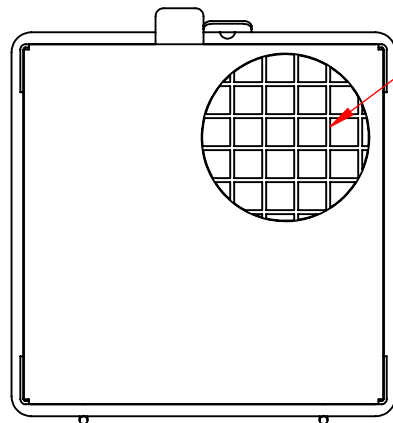
Ø 3/16" Rod Frame



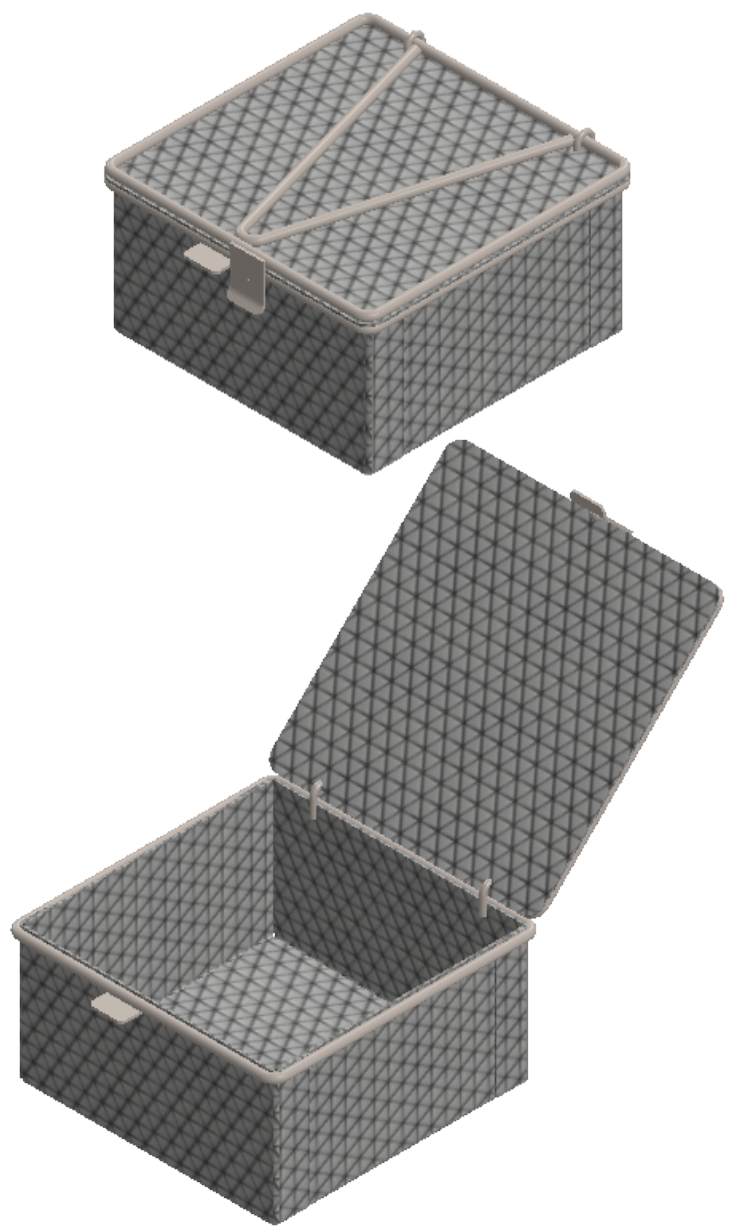
3" Height Under Lid



Mesh Flaps to Close and Secure Corners



One Piece Mesh Body of 2 Mesh x .063" Welded Wire (.437" Openings, 76% Open Area)



UNLESS OTHERWISE SPECIFIED:  
 DIMENSIONS ARE IN INCHES  
 TOLERANCES:  
 FRACTIONAL ± 1/16"  
 ANGULAR: ± 5 DEG.  
 TWO PLACE DECIMAL ±0.03  
 THREE PLACE DECIMAL ±0.015

EST WGT 1.0 lbs.  
 MATERIAL 304 Stainless Steel  
 FINISH Natural

DO NOT SCALE DRAWING

Light Duty Mesh Basket: 6Lx6Wx3H,  
 304 SS, Hinged Lid with Thumb  
 Clasp, No Handles, Mesh: 2 x .063

SIZE **B** DWG. NO. FLB-060060030-L02S

**PROPRIETARY AND CONFIDENTIAL**  
 THE INFORMATION CONTAINED IN THIS DRAWING IS THE SOLE PROPERTY OF THREE M TOOL. ANY REPRODUCTION IN PART OR AS A WHOLE WITHOUT THE WRITTEN PERMISSION OF THREE M TOOL IS PROHIBITED.

SCALE: 1:3

SHEET 1 OF 1